



ISO5211 Connection 2PC Ball Valve

CENTROFLOW ISO5211 Connection 2PC Ball Valve DIN standard are designed for applications of food and beverage, chemical, pharmacy manufacturing, water treatment etc. 2PC Ball valves are simple to repair and replace, long lasting, and highly effective. Because of these advantages you will find where there're pipes, there're ball valves controlling the flow use in these medium. They come in many different configurations and sizes and may be manual, mechanical, pneumatic or electric actuated ball valves. Conclusion — Who Makes Quality 2PC DIN standard Ball Valves? Find Centroflow and contact us.

Product Description

CENTROFLOW ISO5211 Connection 2PC Ball Valve DIN standard has been successfully selling in German, Italian, Spain. Full bore designed, pressure rate PN16/PN40. Products meet ISO management standards, CE PED standards. Whatever how critical application environment required, our working team can serve you technical and professional processing solution. Material available : SS316 SS304 SS304L SS304L WCB Special Alloy Steel. To find out how Centroflow Valves can meet your various needs, contact us today.

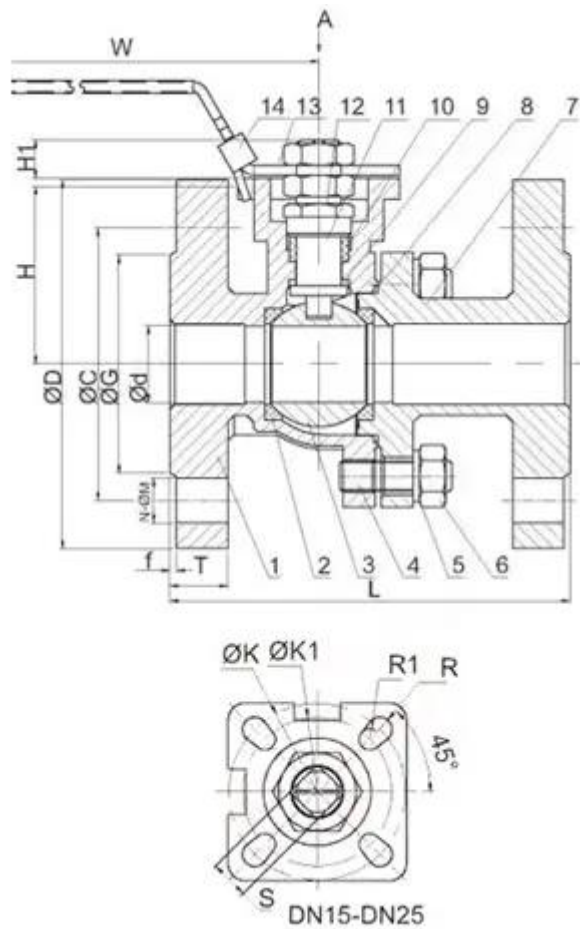
CENTROFLOW ISO5211 Connection 2PC Ball Valve Features

- Full bore
- Flange: DIN 2501
- DIN 2633 2635 PN16 / PN40
- Face to face : DIN3202 F4/F5
- Anti-static device
- Blow-out proof stem
- lever operated/actuated
- Solid ball
- Direct mounting pad ISO 5211



Material and Main Parts

NO.	PART NAME	MATERIAL
1	BODY	SS316L
2	SEAT	PTFE
3	BALL	SS316
4	BOLT	SS304
5	SPRING WASHER	SS304
6	NUT	SS304
7	CAP	SS316L
8	GASKET	PTFE
9	TH RUST WASHER	PTFE
10	PACKING	PTFE
11	STEM	SS304
12	GLAND	SS304
13	HANDLE	SS
14	LOCK	SS



Dimensions

1SIZE	d	D	C	G	f	T	N-OM	L	H	HI	w	K	KI	R	R1	s	ISO5211
15	15	95	65	45	2	16	4-014	115	50	10	112	42	36	3	3	9	F04
20	20	105	75	58	2	18	4-014	120	55	10	112	42	36	3	3	9	F04
25	24	115	85	68	2	18	4-014	125	58	12	136	50	42	3.5	3	11	F05
32	32	140	100	78	2	18	4-018	130	42	12	185	50	42	3.5	3	11	F05
40	38	150	110	88	3	18	4-018	140	76	14	198	70	50	4.5	3.5	14	F07
50	46	165	125	102	3	20	4-018	150	85	14	198	70	50	4.5	3.5	14	F07
65	62	185	145	122	3	18	4-018	170	95	14	265	70	50	4.5	3.5	14	F07
80	74	200	160	138	3	20	8-018	180	115	18	265	102	70	5.5	4.5	17	F10
100	93	220	180	158	3	20	8-018	190	140	18	325	102	70	5.5	4.5	17	F10
125	120	250	210	188	3	22	8-018	325	177	29	750	125	/	7	/	27	F12
150	145	285	240	212	3	22	8-022	350	194	29	750	125	/	7	/	27	F12
200	200	340	295	268	3	24	12-022	400	180	38	1000	150	/	9	/	36	F14