



### Female Threaded Gate Valve

Overview of CENTROFLOW made Female Threaded Gate Valve is a valve that fully opened and closed, designed in accordance with ASME B16.34/API 602 standard for low pressure application. The threaded gate valve consists of a closure element, called a disc which can be operated by lifting up or lifting down, using it to permit and stop the fluids flow. It has a female thread NPT on both ends. If find it interested in, contact us for more details...

## Product Description

CENTROFLOW Manufactured Female Threaded Gate Valve used to be with a wheel shape handle and metal to metal seated. Solid Wedge, OS&Y, None Rising Stem, Bolted, Threaded Bonnet, Stainless Steel Gate Valves, Full Bore (FB), Reduced Bore (RB), NPS 1/2 to NPS2. Material available stainless steel 304, 316, 304L 316L for corrosion resistance, high temperature and low friction of sealing surface, simple operation, long life.

## CENTRO Female Threaded Gate Valve Features

sizes :1/2" – 4"

Body Material:ASTM A351 Gr. CF8M/CF8

Seat:Stainless steel+ Stellite

Working Pressure:200PSI

Testing Method:API598

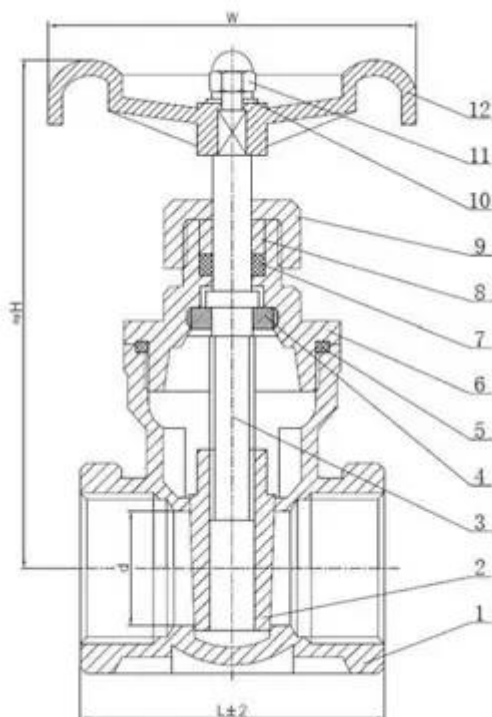
End Connections:ANSI B 1.20.1 (NPT) DIN 259/DIN 2999

Design:ANSI B16.34



## Material and Main Parts

No	Part Name	Material
1	Body	A351 CF8/CF8M
2	Wedge	A351 CF8/CF8M
3	Stem	SS316
4	Stem Holder	SS316
5	Gasket	SS304
6	Bonnet	A351 CF8/CF8M
7	Packing	PTFE
8	Ring	SS316
9	Cap	A351 CF8/CF8M
10	Gasket	SS304
11	Nut	SS304
12	Handwheel	ZL101



## Dimensions

SIZE	D	L	H	W
DN6 1/4"	10	42	98	65
DN10 3/6"	12	42	98	65
DN15 1/2"	14	53	98	65
DN20 3/4"	19	57	98	72
DN25 1"	24	64	105	77
DN32 1-1/4"	30	72	125	97
DN40-1/2"	38	76	137	97
DN50	47	88	155	107