



DIN Standard Gate Valve

Overview of CENTROFLOW made DIN Standard Gate Valve is a casting full bore valve with flexible wedge and external screw suitable for regulation manufactured according to DIN standard. Only needs to operate the wrench or actuator to turn the ball 90 degrees, and can switch the flow direction of two media at the same time, which is convenient and fast, and reach the effect of one valve with multiple functions.

Product Description

CENTROFLOW Manufactured DIN Standard Gate Valve designed with

1. Stem: cast steel, single-part construction, ACME screw
2. Body and bonnet: high quality and precision tooled casting steel.
3. Bore: Full port that ensure minimum turbulence and minimum flow resistance
4. Backseat: screwed into bonnet
5. Flexible wedge

CENTRO DIN Standard Gate Valve Features

Size: from 2" to 48"

Pressure: PN6 – PN160

Material: 1.0619, LCB, WC6, WC9, C12, C5, CF8, CF3, CF3M, and CF8M

Face to Face Design: DIN3352, EN558

Distance between flanges: DIN3202-F5/F7

Connections: DIN2543-254, EN1092

Test standard: API598, ISO5208

Actuation: can operate with lever, gear box, pneumatic or electric actuator with handwheel for emergencies

Medium: water, steam, oil, gas, nitric acid, acetic acid, etc.

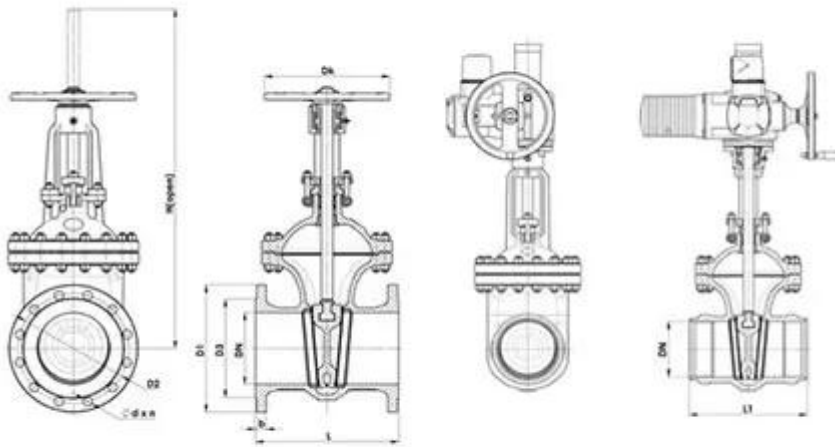
WT: from -46°C or -600°C (Up to material)



Material and Main Parts

NO.	PART NAME	GP240 GH	STAINLESS STEEL
1	Body	1.0619	1.4308
2	Bonnet	1.0619	1.4308
3	Wedge	1.0619+13Cr	1.4308
4	Stem	13Cr	18-10-CrNi
5	STEMNut	SS	SS
6	Hand Wheel	Cast Steel	Cast Steel
7	Gland Flange	1.0619	1.4308
8	Spcaer	13Cr	CrNi
9	Gland	13Cr	CrNi
10	Gland Pakcing	Graphite	Graphite
11	Gasket	Spiral Wound G.	Spiral Wound G.
12	Stud	25CrMo4	A2-70

13	Nut	25CrMo4	A2
14	Eye Bolt	25CrMo4	A2-70
15	Nut	25CrMo4	A2
14	Pin	SS	CrNi
15	Split Pin	CrNi	CrNi
16	Hand Wheel Nut	SS	CrNi
17	Screw	SS	CrNi
18	Greese Fitting	SS	CrNi
19	Name Plate	SS	SS
20	Rivet	SS	SS



PN 16

Dimensions

DN	D1	D2	D3	L	H (open)	Dk	b	d x n	kg	BW	
										L1	kg
50	165	125	102	250	360	200	18	18x4	20	216	17

65	185	145	122	270	410	250	18	18x8	30	241	26
80	200	160	138	280	460	250	20	18x8	36	283	34
100	220	180	158	300	550	300	20	18x8	49	305	48
125	250	210	188	325	660	300	22	18x8	66	381	72
150	285	240	212	350	775	300	22	22x8	95	404	100
200	340	295	268	400	960	350	24	22x12	154	419	160
250	405	355	320	450	1175	400	26	26x12	225	457	240
300	460	410	378	500	1360	500	28	26x12	334	502	355
350	520	470	438	550	1525	550	30	26x16	445	762	490
400	580	525	490	600	1675	600	32	30x16	610	838	690
500	715	650	610	700	2050	700	44	33x20	1105	991	1070
600	840	770	725	800	2400	800	54	36x20	1190	1143	1660

PN 25

DN	D1	D2	D3	L	H (open)	Dk	b	d x n	kg	BW	
										L1	kg
50	165	125	102	250	360	200	20	18x4	20	216	17
65	185	145	122	270	410	250	22	18x8	32	241	26
80	200	160	138	280	460	250	24	18x8	39	283	34
100	235	190	162	300	550	300	24	22x8	53	305	48
125	270	220	188	325	660	300	26	26x8	71	381	72
150	300	250	218	350	775	300	28	26x8	101	404	100
200	360	310	278	400	960	350	30	26x12	160	419	160
250	425	370	335	450	1175	400	32	30x12	232	457	240
300	485	430	395	500	1360	500	34	30x16	345	502	355
350	555	490	450	550	1525	550	38	33x16	460	762	490
400	620	550	505	600	1675	600	40	36x16	645	838	690
500	730	660	615	700	2050	700	48	36x20	1166	991	1070
600	845	770	720	800	2450	800	58	39x20	1258	1143	1660

PN40

DN	D1	D2	D3	L	H (open)	Dk	b	d x n	kg	BW	
										L1	kg
50	165	125	102	250	360	200	20	18x4	20	216	17
65	185	145	122	290	410	250	22	18x8	28	241	26
80	200	160	138	310	460	250	24	18x8	44	283	34
100	235	190	162	350	560	300	24	22x8	62	305	48
125	270	220	188	400	660	300	26	26x8	87	381	72
150	300	250	218	450	765	350	28	26x8	125	404	100

200	375	320	285	550	955	400	34	30x12	265	419	160
250	450	385	345	650	1185	450	38	33x12	405	457	240
300	515	450	410	750	1380	500	42	33x16	500	502	355
350	580	510	465	850	1510	500	46	36x16	725	762	490
400	660	585	535	950	1690	600	50	39x16	1280	838	690
500	755	670	615	1150	2065	600	52	42x20	1589	991	1070
600	890	795	735	1350	2465	700	60	48x20	1903	1143	1660