



### API 600 Standard Gate Valve

CENTROFLOW supplies API 600 Standard Gate Valve is for petroleum and natural gas industries, specifically where "corrosion, aggressive media, and other service conditions that request for full port openings, heavy wall sections, and extra large stem diameter. It can be distinguished as two basic types: Parallel and wedge-shaped, which widely applied for underground or above ground and used as a isolating valve. CentroFlow mainly produces wedge-shaped one. More information of this API 600 standard gate valve, please just contact us without .delay.

## Product Description

API 600 Standard Gate Valve Manufactured by CENTROFLOW has been enjoyed a good reputation in the market. Using universal trim of 13%Cr, face to face according to ANSI B16.10, pressure - temperature ratings according to ASME B16.34. The stem of Centro Flow gate is thoroughly forged, its T-shape connecting end is of good stiffness and strength to ensure its safe use and reliability. The stem transmission bearing structure applies sophisticated ACME trapezoidal thread to enable its up and down travel.

shell wall thickness according to API 600, testing according to API 598

Material available SS316 SS304, CE and BV certificated.

## CENTRO API 600 Standard Gate Valve Features

Design and manufacture: API 600

Face-to-Face dimension: ASME B16.10(smaller than 36")

Above 40" upto manufacturer's standard

Flanged End: ASME B16.5(smaller than 24")

26" and larger to ASME B 16.47 series A

B.W. End: ASME B16.25

Shell Wall Thickness: API 600(smaller than 24")

larger to manufacturer's standard

Smaller than 2 1/2 " have a one-piece bonnet and yoke design

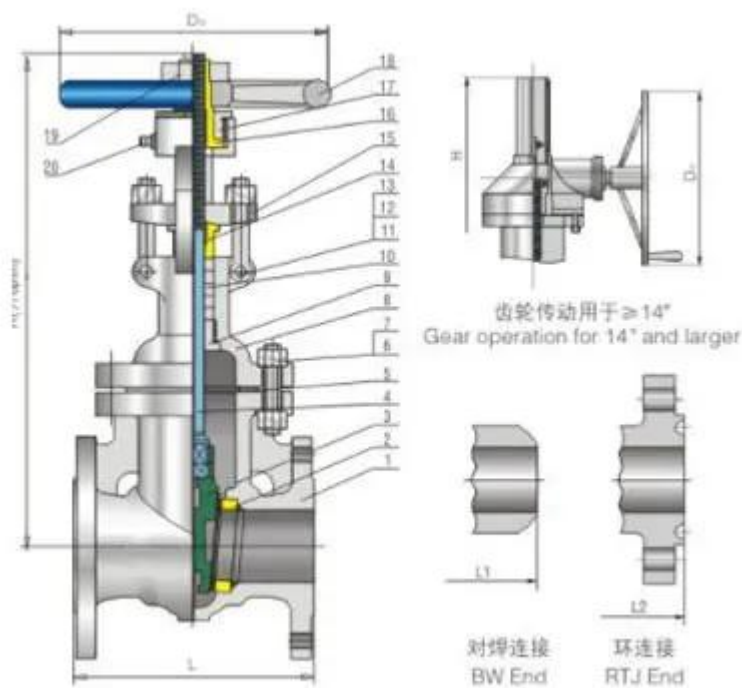
Above 3" have a split bonnet and yoke design.



### Material and Main Parts

NO.	PART NAME	MATERIAL
1	BODY	ASTM A351 CF8
2	SEAT RING	ASTM A351 CF8+STL
3	WEDGE	ASTM A351 CF8+STL
4	STEM	ASTM A182 F304
5	GASKET	SS304 JACKETEDGRAPHIT
6	STUD	SS304/SS316
7	NW	ASTM A193 B
8	BONNET	ASTM A194 8
9	BACK SEAT	ASTM A351 CF8
10	PACKING	GRAPHIT
11	PIN	SS
12	GLAND	ASTM A193 B8
13	GLAND NUT	ASTM A194 8
14	BUSHING	ASTM A351 CF8

15	GLAND	ASTM A351 CF8
16	STEM NUT	Aluminum Bronze
17	RETAINING NUT	C.S.
18	HANDWHEEL	Malleable Iron



## Dimensions

size	In.	1-1/2	2	2-1/2	3	4	5	6	8	10	12	14	16	18	20	24	28	30	32	36	40	42	48
	m	2	50	2	80	100	125	150	200	250	300	350	400	450	500	600	700	750	800	900	1000	1050	1200
	m	40	65																				0
	in.	6.5	7	7.5	8	9	10	10.5	11.5	13	14	15	16	17	18	20	24	24	26	28	33	31	34
(RF)	m	165	178	190	203	229	254	267	292	330	356	381	406	432	457	508	610	610	660	711	762	787	864
	m																						
	in.	6.5	8.5	9.5	11.1	12	15	15.8	16.5	18	19.7	22.5	24	26	28	32	36	36	38	40	42	43	46
	m				3			8			5												
(BW)	m	165	216	241	283	305	381	403	419	457	502	572	610	603	711	813	914	914	965	101	1067	1092	116
	m																			6			8
	in.	7.0	7.5	8	8.5	9.5	10.5	11	12	13.5	14.5	15.5	16.5	17.5	18.5	20.5	24.5	24.5	26.5	28.5	-	-	-
(RTJ)	m	178	191	203	216	242	267	279	305	343	368	394	419	445	470	521	622	622	673	724	-	-	-
	m																						
H	in.	15.7	16.1	18.5	20.9	24.1	27.9	31.7	39	46.6	65.3	63.5	71.3	78.1	87	1062	119.3	1305	1372	WS6	183.8	193.7	217

			3	6	4	3	4	5		9	1	6	1	9		5	1	6	5		6	5	5
ope	m	392	4C©	472	532	612	710	806	990	1186	1405	1615	1811	1986	221	2698	3030	3317	3487	382	4670	4920	552
n	m														0					5			5
	in.	7.86	7.86	7.86	9.86	9.86	11.8	11.8	13.7	17.6	19.6	18.1	18.1	18.1	24	24	24	24	24	33	33	30	33
	m	200	2C0	2C0	250	250	300	300	350	450	500	460	403	463	610	610	610	610	610	703	760	760	760
WT		185	20	30	36	53	71	85	136	220	323	387	553	603	810	1250	1931	2380	2490	30X	4815	5330	711
																				)			0
(kg)	RF	15.5	17	26	29	46	66	77	116	202	294	350	506	575	720	1133	1765	2028	2280	308	4840	5275	705
	BW																			0			0