



3PC Threaded Ball Valve

How to describe 3PC Threaded Ball Valve that made by CENTRO? In brief, it is a valve with one main body and two pipe connection ends. The pipe connection ends are typically threaded to a pipe, enable easily remove and have it repaired. .

Product Description

Manufactured by CENTRO 3PC threaded ball valve is one of valve full port, and bidirectional shutoff options are available. It uses a hollow, perforated and pivoting ball to control liquid accessing through. It opens when the ball's hole is in line with the flow inlet and closed when it is pivoted 90-degrees by the valve handle, blocking the flow.

Suitable Mediums: WOG (Water, Oil and Gas products etc)

CENTRO 3PC Threaded Ball Valve Features:

- Full port, 1/4"~4" (DN8~DN100)
- W.P. : 1000 WOG (PN63)
- W.T. : -20°C~200°C (-4°F~392°F)
- Investment casting
- Blow-out proof stem
- Anti-static device (option)
- Locking device
- Thread type : ASME B1.20.1 (NPT)

DIN2999 & BS21 ISO7/1 & EN10226



Material and Main Parts

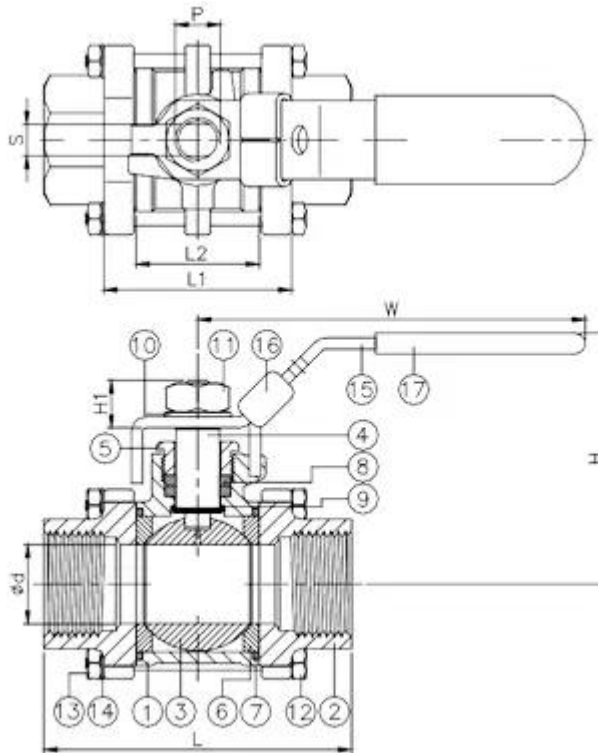
NO	Part Name	Material	
1	Body	ASTM A351-CF8M	ASTM A216-WCB
2	Cap		
3	Ball	ASTM A351-CF8M	
4	Stem	SS304/SS316	
5	Gland Nut	SS304	
6	Seat	PTFE/RTFE	
7	Seal	PTFE	
8	Packing	PTFE	
9	Trust Washer	PTFE	
10	Spring Washer	SS304	
11	Stem Nut	SS304	
12	Bolt	SS304	
13	Nut	SS304	
14	Spring Washer	SS304	
15	Handle	SS304	
16	LockingDevice	STAINLESS STEEL	

Zhejiang Centro Flow Control Co., Ltd.

+86-577-85989708

E-mail:centro@centro-flowcontrol.com

17	Handle Sleeve	PVC
----	---------------	-----



Parameter (Specification)

DN	d	L	L1	L2	H	H1	W	S	P
8	11.	64.5	35.5	21.5	56	9.5	102	5	5/16"UNC
10	612	64.5	35.5	21.5	56	9.5	102	5	5/16"UNC
15	0.7	66	38	24	57	10.5	102	5	5/16"UNC
20	15	83.4	43	28	66	13.5	120.5	6.5	3/8"UNC
25	20	95	54	35	76	15.5	158.5	8	7/16"UNC
32	25	111.2	65	45	81	15.5	158.5	8	7/16"UNC
40	32	130	75	55	98	17.5	188	9	1/2"UNC
50	38	151	88	66	106	17.5	188	9	1/2"UNC
65	50	184	114	86	138	33	245	12	3/4"UNC
80	65	209	132	100	154	33	290	12	3/4"UNC
100	80	234.4	158	125	178	42	320	16	1"UNC