



3PC Butt Welded Ball Valve

CENTRO 3PC butt Welded Ball Valve is a flow control device, VS 3PC female threaded ball Valve, butt welded is popularly applied for wide industry. which uses a hollow, perforated and pivoting ball to control liquid flowing through it. It opens when the ball's hole is in line with the flow inlet and closed when it is pivoted 90-degrees by the valve handle, blocking the flow.

Product Description

China ball valve supplier CENTRO 3PC butt welded ball valve made of investment casting, NACE standard, Our valve products strictly conform to ISO9001. 2PC screwed is one of the valves that easy and quick installation and operation locking device, 90° switch locating mechanism. The valve can thus be locked as required to prevent accidental operations. There are three drive modes, manual, electric and pneumatic.

Material available: SS316 SS304 SS304L 33316L, WCB

Suitable Mediums: Water, Chemical and Gas project etc.

CENTRO 3PC Butt Welded Ball Valve Features:

- W.P. : 1/4"~1" - 2000 WOG(PN150)
- 1-1/4"~2" - 1500 WOG(PN100)
- 2-1/2"~4" - 1000 WOG(PN64)
- W.T. : -20°C~200°C
- Investment casting
- Blow-out proof stem
- Anti-static device (option)
- Locking device
- Tapped & drilled mounting pad
- API 607 Fire safe approved
- ASME B16.34 Wall thickness
- API 608 Design
- NACE MR0175
- Seal welded ends
- TA-Luft approved (option)
- Economic pattern - 2006W
- Thread type : ASME B1.20.1 (NPT)
- DIN2999 & BS21
- ISO7/1 & EN1022

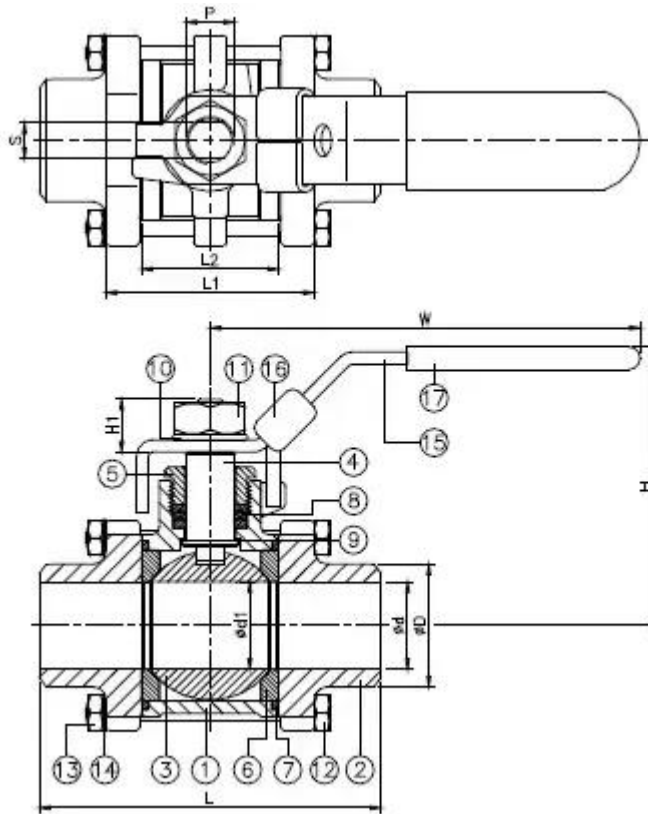
Zhejiang Centro Flow Control Co., Ltd.
+86-577-85989708

E-mail:centro@centro-flowcontrol.com



Material and Main Parts

NO	Part Name	Material	
1	Body	ASTM A351-CF8M	ASTM A216-WCB
2	Cap		
3	Ball	ASTM A351-CF8M	
4	Stem	SS304/SS316	
5	Gland Nut	SS304	
6	Seat	PTFE/RTFE	
7	Seal	PTFE	
8	Packing	PTFE	
9	Trust Washer	PTFE	
10	Stem Nut	SS304	
11	Bolt	SS304	
12	Nut	SS304	
13	Spring Washer	SS304	
14	Handle	SS304	
15	Locking Device	STAINLESS STEEL	
16	Handle Sleeve	PVC	



Dimensions

DN	d	d1	D	L	L1	L2	H	H1	W	S	P
8	8	12.7	13.5	64.5	35.5	21.5	56	9.5	102	5	5/16"UNC
10	12.7	12.7	17.5	64.5	35.5	21.5	56	9.5	102	5	5/16"UNC
15	15	15	22	66	38	24	57	10.5	102	5	5/16"UNC
20	20	20	27	82	43	28	66	13.5	120.5	6.5	3/8"UNC
25	25	25	34	95	54	35	76	15.5	158.5	8	7/16"UNC
32	32	32	42.5	111.2	65	45	81	15.5	158.5	8	7/16"UNC
40	38	38	48.5	130.6	75	55	98	17.5	188	9	1/2"UNC
50	50	50	61	151	88	66	106	17.5	188	9	1/2"UNC
65	65	65	77	185	114	86	138	33	245	12	3/4"UNC
80	80	80	90	212	132	100	154	33	290	12	3/4"UNC
100	100	100	115	235	158	125	178	42	320	16	1"UNC