



2PC Screwed Ball Valve NACE Standard

CENTRO 2PC Screwed Ball Valve NACE Standard is the type valve known as body consisted of two pieces, is of full port and quarter turn that controls the flow through the ball. This Centro two pieces threaded ball valve is mainly applied for heavy duty industry like underground pipeline anti-corrosion engineering. Among all it is a product that easy operation, maintenance and durability.

Product Description

China ball valve supplier CENTRO 2PC Screwed ball valve NACE Standard made of investment casting, NACE standard, Our valve products strictly conform to ISO9001. 2PC screwed is one of the valves that easy and quick installation and operation locking device, 90° switch locating mechanism. The valve can thus be locked as required to prevent accidental operations.

There are three drive modes, manual, electric and pneumatic.

Material available: SS316 SS304 SS304L 33316L, WCB

Suitable Mediums: Water, Chemical and Gas project etc.

CENTRO 2PC Screwed Ball Valve Features:

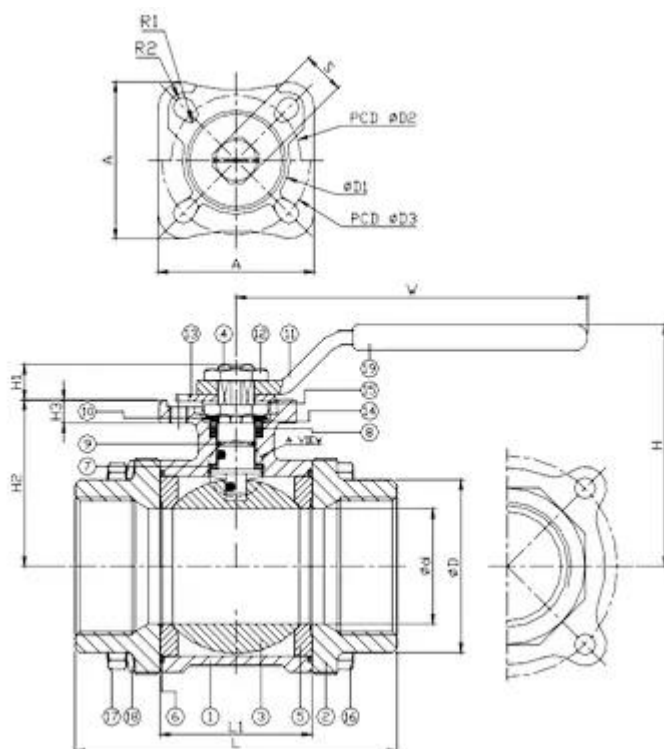
- W.P. : 1/4"~1" - 2000 WOG(PN150)
- 1-1/4"~2" - 1500 WOG(PN100)
- 2-1/2"~4" - 1000 WOG(PN64)
- W.T. : -20°C~200°C
- Investment casting
- Blow-out proof stem
- Anti-static device (option)
- Locking device
- Tapped & drilled mounting pad
- API 607 Fire safe approved
- ASME B16.34 Wall thickness
- API 608 Design
- NACE MR0175
- Seal welded ends
- TA-Luft approved (option)
- Economic pattern - 2006W
- Thread type : ASME B1.20.1 (NPT)
- DIN2999 & BS21
- ISO7/1 & EN1022

Zhejiang Centro Flow Control Co., Ltd.
+86-577-85989708

E-mail:centro@centro-flowcontrol.com



NO	Part Name	Material	
1	Body	ASTM A351-CF8M	ASTM A216-WCB
2	Cap		
3	Ball	ASTM A351-CF8M	
4	Stem	SS304/SS316	
5	Gland Nut	SS304	
6	Seat	PTFE/RTFE	
7	Seal	PTFE	
8	Packing	PTFE	
9	Trust Washer	PTFE	
10	Stem Nut	SS304	
11	Bolt	SS304	
12	Nut	SS304	
13	Spring Washer	SS304	
14	Handle	SS304	
15	LockingDevice	STAINLESS STEEL	
16	Handle Sleeve	PVC	



Dimensions

DN	d	D	L	L1	H	H1	H2	H3	W	S	A	D1	D2	D3	R1	R2	ISO 5211
8	8	21	55	23	63	8	40.3	6.5	120	9	42	31	36	42	2.75	2.75	F03/F04
10	10	21	60	23	63	8	40.3	6.5	120	9	42	31	36	42	2.75	2.75	F03/F04
15	15	28	75	23	63	8	40.3	6.5	120	9	42	31	36	42	2.75	2.75	F03/F04
20	20	35	80	28	69	9	45	6.5	120	9	42	31	36	42	2.75	2.75	F03/F04
25	25	42	90	35	76	10	47.5	7.5	148	11	50	35.5	42	50	2.75	3.5	F04/F05
32	32	52	110	44.8	84	11	55.5	7.5	148	11	50	35.5	42	50	2.75	3.5	F04/F05
40	38	59	120	54.5	99	12	65.3	9	178	14	70	56	50	70	3.5	4.5	F05/F07
50	50	72	140	66	108	12	73	9	178	14	70	56	50	70	3.5	4.5	F05/F07