



### 2PC High Platform Threaded Ball Valve

CENTRO 2PC High Platform Threaded Ball Valve is designed with ISO5211 for easy installing driving device. The ball valve has simple structure, light weight, easy installation , fast maintenance and various connection ends are suitable to pipe connections. CENTRO professional management team is expecting for your valuable inquiries and co-operation.

## Product Description

CENTRO 2PC High Platform Threaded Ball Valve focus on customer and market's demands, quick delivery available, accept sample ordering for testing requirements. Its top quality and reasonable price get share of the market as well as confidence .

The products strictly conform to NPT / BSPT / BSP / DIN2999

Material available: SS316 SS304 SS304L 33316L, WCB

Suitable Mediums: Chemical, Water, Oil and Gas products etc.

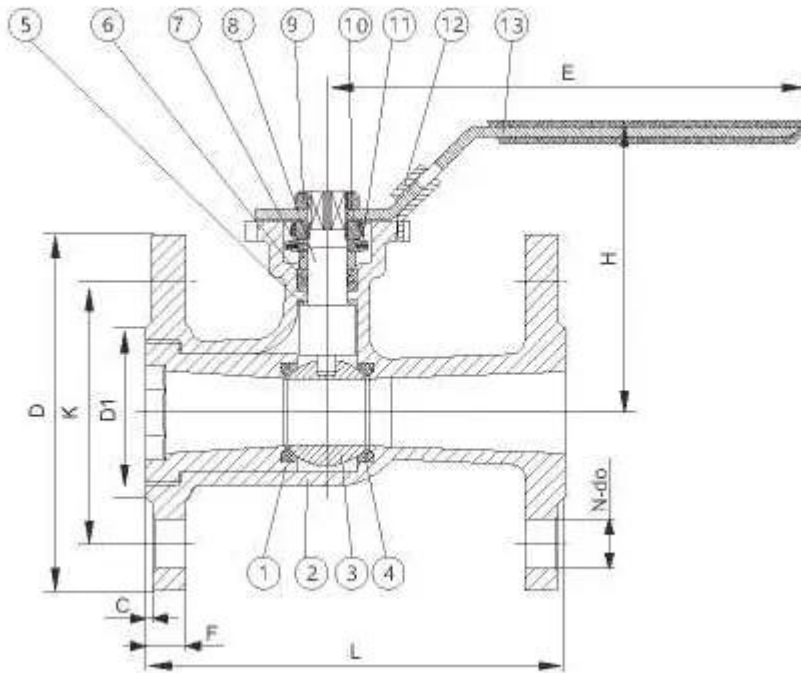
### CENTRO 2PC High Platform Threaded Ball Valve Features:

- Full port, 1/2"~2" (DN15~DN50)
- Max Pressure:6.4MPa(PN64)
- W.T. : -20°C~200°C (-4°F~392°F)
- Investment casting
- Blow-out proof stem
- Locking Device
- ISO5211 Direct Mounting Pad for Actuators
- Threaded ends conform to
- NPT / BSPT / BSP / DIN2999



### Material and Main Parts

NO	Part Name	Material
1	Body	WCB/CF8M/CF8
2	Ball	SS316/SS304
3	Bonnet	WCB/CF8M/CF8
4	Valve Cover Gasket	SS304
5	Seat	PTFE
6	Seat	SS304/SS316
7	Thrust Washer	PTFE
8	Stem Packing	PTFE
9	Junk Ring	SS304
10	Handle	SS304
11	Spring Wash	SS304
12	Handle Nut	SS304
13	Handle Lock	SS304



### Main Connection Sizes (Specifications)

NPS	DN	D	L	H	H1	RA	RB	Ra	Rb	k
1/2"	15	15	62	38	9	18	21	3.0	3.0	9
3/4"	20	20	75	41	9	18	21	3.0	3.0	9
1"	25	25	85	58	11	21	25	3.0	3.0	11
1 1/4"	32	30	91	60	11	21	25	3.0	3.0	11
1 1/2"	40	38	105	75	14	25	35	3.5	4.5	14
2"	50	49	120	80	14	25	35	3.5	4.5	14