



2PC Floating Ball Valve

CENTROFLOW Manufactured and Distributed 2PC Floating Ball Valve is made of investment casting, which are also made by our own foundry. Using qualified raw material, valve parts, advanced test equipment and standardization operation, the full production process followed with ERP management, thus further secure the delivered products to reach or exceed our customer's requirements. For more details please contact us, CentroFlow working team is pleased to serve you at your convenience.

Product Description

China OED/ODM supplier CENTROFLOW 2PC Floating Ball Valve are good for minimal leakages for larger and small pipe sizes. Simple to install, replace, and easy to maintain. CentroFlow's experienced and skilled workers makes our 2PC casting steel valve meet the most critical applications, receiving a good reputation in the market in past years. Sizes range from 1/2" to 8" with ASME Class 150/300 flanges. Material fully tested and controlled before production, during processing, before delivery. And additional certificated can be asked like TUV AD2000. BV certificated API.

CENTROFLOW 2PC Floating Ball Valve Features

Size Range: 1/2"–8"

CF8M or WCB Bodies/316SS Trim

Fire Safe Design Approved

ISO 5211(option)

Anti-Static Devices

Blow-out Proof Stem

Design: ASME B16.34, API 608

Wall Thickness:ASME B16.34 EN12516-3

Flange: ASME B16.5

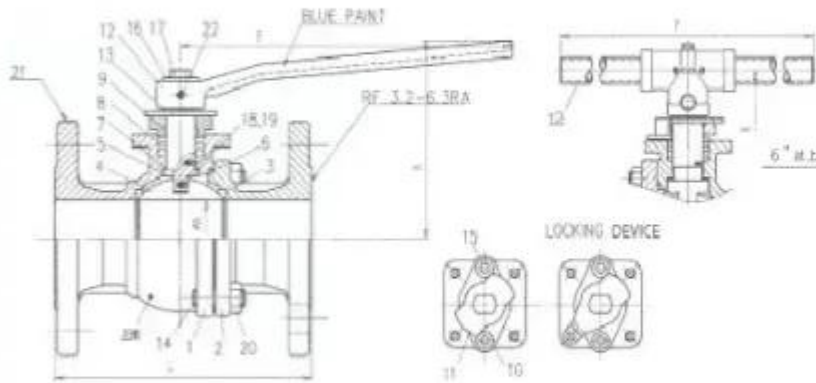
Inspection and Testing: API 598 EN12266

W.T: -20 Deg C to 180 Degree



Material and Main Parts

NO.	PART NAME	MATERIAL
1	BODY	CF8/CF8M
2	SEAT	PTFE
3	BALL	SS304/SS316
4	BOLT	SS/SUS304
5	GASKET	PTFE
6	NUT	SS/SUS304
7	CAP	CF8/CF8M
8	STEM	SS304/SS316
9	THRUSTWASHER	PTFE
10	PACKING	PTFE
11	GLAND	SS/SUS304



Dimensions

Size		A	E	L	P	K
1/2"	DN15	16	48.35	108	135	78.8
3/4"	DN20	20	55.45	117	135	83.3
1"	DN25	25	66.10	127	160	95.1
1-1/2"	DN40	38	81.30	165	230	121.6
2"	DN50	50	82.90	178	230	129.9
2-1/2"	DN65	65	93.10	190	230	140.7
3"	DN80	80	85.30	203	350	148.8
4"	DN100	100	98.40	229	400	175.6
5"	DN125	127	178.00	356	400	206.2
6"	DN150	152	197.00	394	800	268.5
8"	DN200	203	238.50	457	1100	340.0