



2PC Casting Steel Ball Valve

CENTROFLOW Manufactured and Distributed 2PC Casting Steel Ball Valve is made of investment casting which are also made by our own foundry. Using qualified raw material, valve parts, advanced test equipment and standardization operation, the full production process followed with ERP management, thus further secure the delivered products to reach or exceed our customer's requirements. For more details please contact us, CentroFlow working team is pleased to serve you at your convenience.

Product Description

China OED/ODM supplier CENTROFLOW 2PC Casting Steel Ball Valve Flanged connections are good for minimal leakages for larger and small pipe sizes. Simple to install, replace, and easy to maintain. CentroFlow's experienced and skilled workers makes our 2PC casting steel valve meet the most critical applications, receiving a good reputation in the market in past years. Sizes range from ½" to 8" with ASME Class 150/300 flanges. Material fully tested and controlled before production, during processing, before delivery. And additional certificated can be asked like TUV AD2000. BV certificated API.

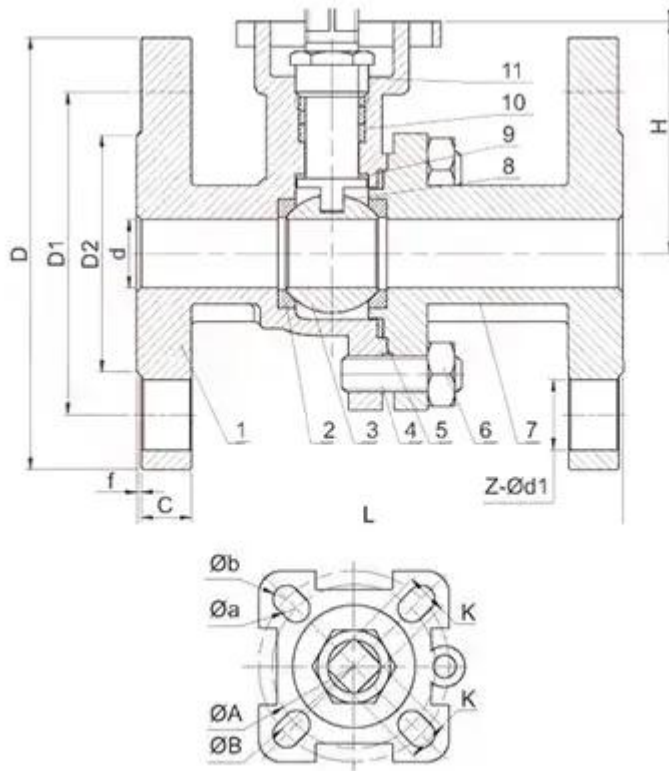
CENTROFLOW 2PC Casting Steel Ball Valve Features

- Size Range: ½" – 10"
- CF8M or WCB Bodies/316SS Trim
- Fire Safe Design Approved
- ISO 5211(option)
- Anti-Static Devices
- Blow-out Proof Stem
- Design: ASME B16.34, API 608
- Wall Thickness:ASME B16.34 EN12516-3
- Flange: ASME B16.5
- Inspection and Testing: API 598 EN12266
- W.T: -20 Deg C to 120 Degree



Material and Main Parts

NO.	PART NAME	MATERIAL
1	BODY	CF8/CF8M
2	SEAT	PTFE
3	BALL	SS304/SS316
4	BOLT	SS/SUS304
5	GASKET	PTFE
6	NUT	SS/SUS304
7	CAP	CF8/CF8M
8	STEM	SS304/SS316
9	THRUSTWASHER	PTFE
10	PACKING	PTFE
11	GLAND	SS/SUS304



NPS	d	L	H	h	D	DI	D2	C	f	Z-Ød1	Øa	Øb	ØA	ØB	K
1/2"	15	108	50	10	89	60.5	35	11	2	4-016	6	6	36	42	9
3/4"	20	117	55	10	98	70	43	11	2	4-016	6	6	36	42	9
1"	25	127	60	12	108	79.5	51	12	2	4-016	6	7	42	50	11
1 1/4"	32	140	65	12	117	89	64	13	2	4-016	6	7	42	50	11
1 1/2"	40	165	70	16	127	98.5	73	15	2	4-016	7	9	50	70	14
2"	50	178	80	16	152	120.5	92	16	2	4-019	7	9	50	70	14
2 1/2"	65	190	95	16	178	139.5	105	18	2	4-019	7	9	50	70	14
3"	80	203	105	19	191	152.5	127	19	2	4-019	9	11	70	102	17
4"	98	229	120	24	229	190.5	157	24	2	8-019	9	11	70	102	17