



1PC Female Threaded Ball Valve

CENTRO has been known as a top quality 1PC Female threaded ball valve ISO certificated manufacturer in China. Our professional management team will bring you one qualified experience during co-operation. Rely on our own chain industry valve casting products, CENTRO valve can be expected to sell at a economic price.

Product Description

1PC Female threaded ball valve designed with a quarter turn, when turn the handle to 90°, either clockwise or counter clockwise to carry out the opening or closing functions by lever device. It is known as a reduced bore type which difference from the full bore type. a reduced bore type ball valve is a valve where the bore size is smaller than the internal diameter of pipework where it installed on. Material available SS316 SS316L SS304 SS304L WCB.

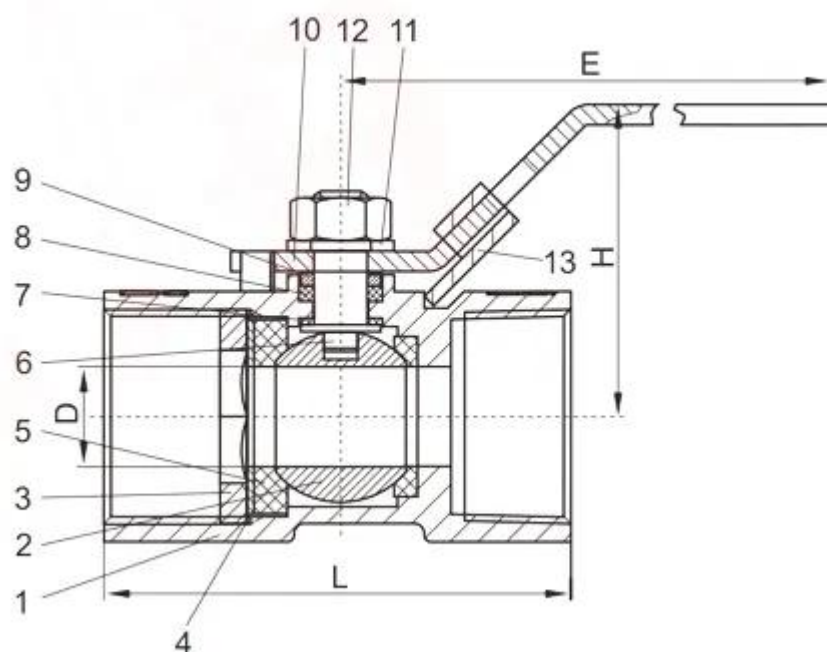
CENTRO 1PC Female Threaded Ball Valve Features

- 1PC Body Design
- Reduced Bore, Quarter Turn Operation
- Sizes: 1/8" – 2" (DN6 – DN50)
- Working Pressure: 1000 WOG
- Threaded End: BSPP, NPT
- Applicable Medium: General Oil, Gas & Water Applications
- Blow-out Proof Stem Design
- Temperature: -20 Degree C to 120 Degree C



Material and Main Parts

NO	Part Name	Material
1	Body	WCB/CF8M/CF8
2	Ball	SS316/SS304
3	Bonnet	WCB/CF8M/CF8
4	Valve Cover Gasket	SS304
5	Seat	PTFE
6	Seat	SS304/SS316
7	Thrust Washer	PTFE
8	Stem Packing	PTFE
9	Junk Ring	SS304
10	Handle	SS304
11	Spring Wash	SS304
12	Handle Nut	SS304
13	Handle Lock	SS304



Dimensions

DN	L	D	H	E
6	40	5	28	70
10	45	7	30	78
15	58	9	35	95
20	61	12	39	95
25	70	15	47	110
32	79	20	48	130
40	85	25	54	145
50	100	32	60	145